

# **Rainbow2 Quick Start Guide**

Version 1.0

2014-03-21

---

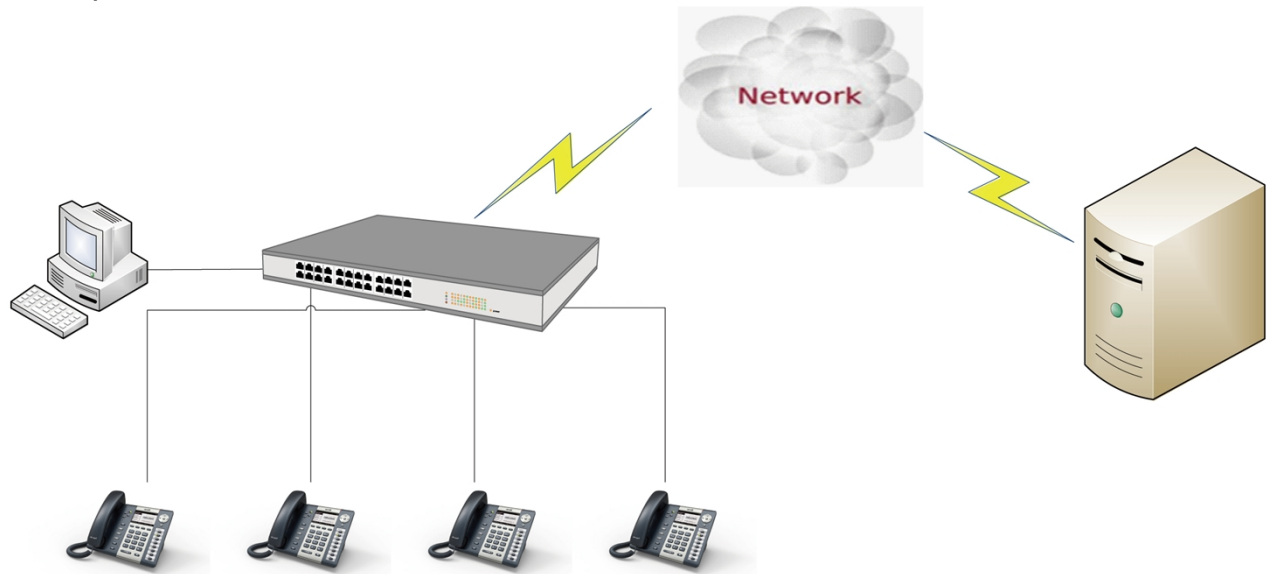
## Content

1. Installation and access.....	3
1.1 Connection.....	3
1.2 Stand bracket installation instruction.....	3
1.3 Programmable keys' paster using instruction.....	7
1.4 Check IP.....	8
1.5 Login to web.....	8
2. Configure phone to register SIP account.....	8
2.1 Network Configuration.....	8
2.2 Account Configuration.....	10

## 1. Installation and access

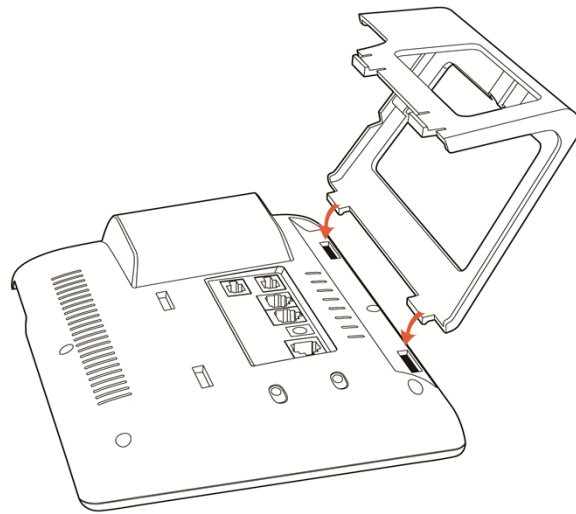
### 1.1 Connection

Set up Rainbow2 as below:

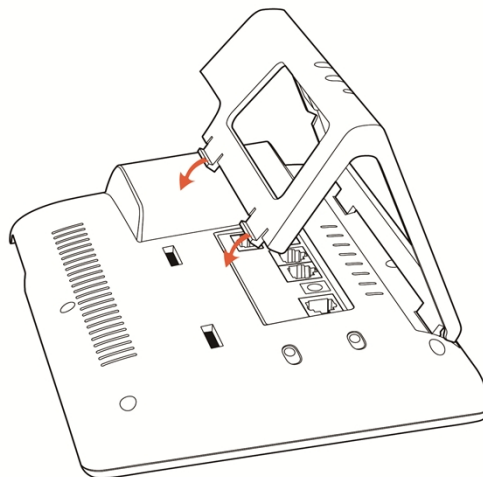


### 1.2 Stand bracket installation instruction

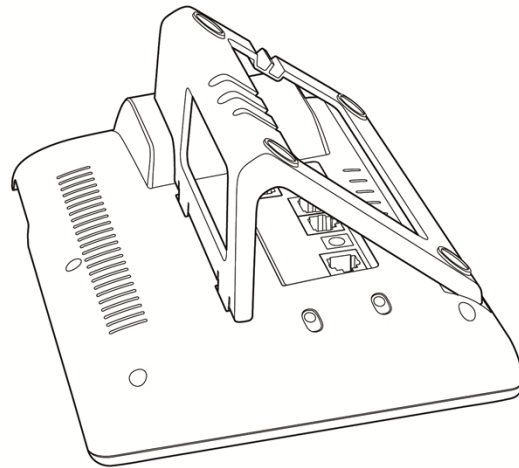
A. Put the bottom side of the IP phone upside and press one-side joints of stand bracket into the slot, please refer the picture as below:



B. Press the other side joints into the slot according to the direction of the arrow:

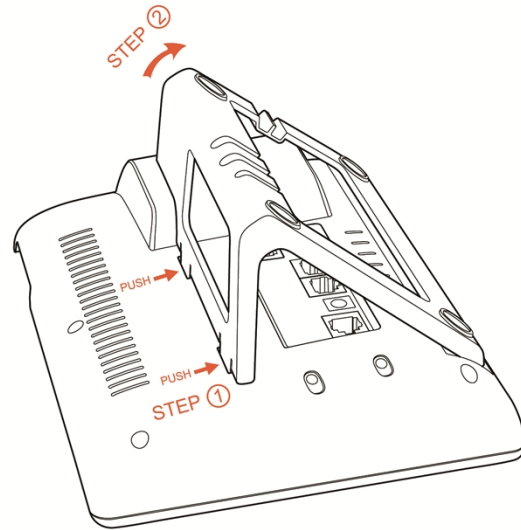


C. It is the right picture after fixing the stand bracket below:

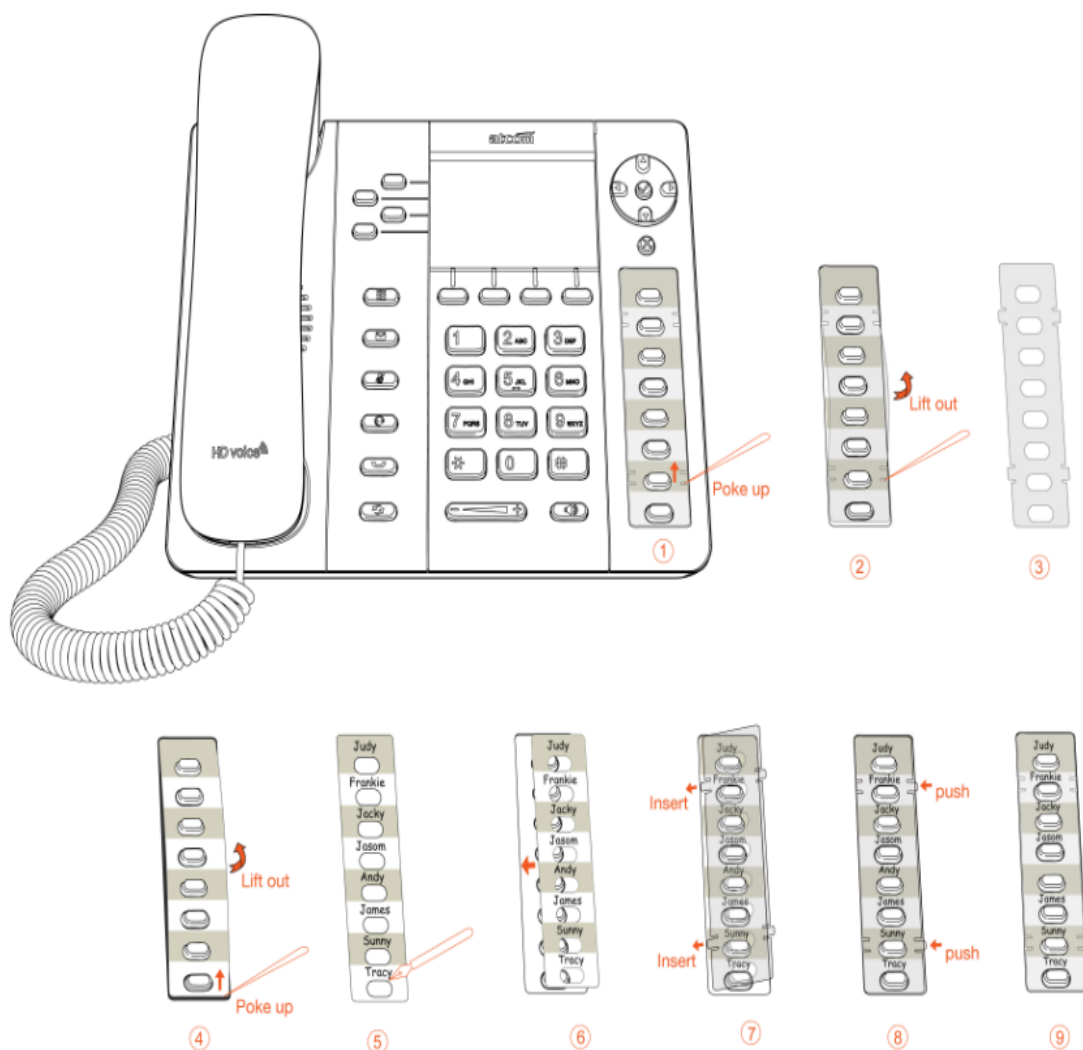


**D. Disassemble the stand bracket:**

Push the spring joint of stand and pull the stand according to the direction of the arrow. When the joints are pulled out of the slot, you can take off the stand bracket



**1.3 Programmable keys' paster using instruction**



Step1. Use needle or some other tools to insert into the hole of the plastic sheet, hog the plastic sheet.

Step2. Lift out the plastic sheet

Step3. Take off the plastic sheet

Step4. Use needle or some other tools to insert into the edge of the paster, hog and lift out the paster

Step5. Write down the identification of each programmable key on the paster after taking off the paster

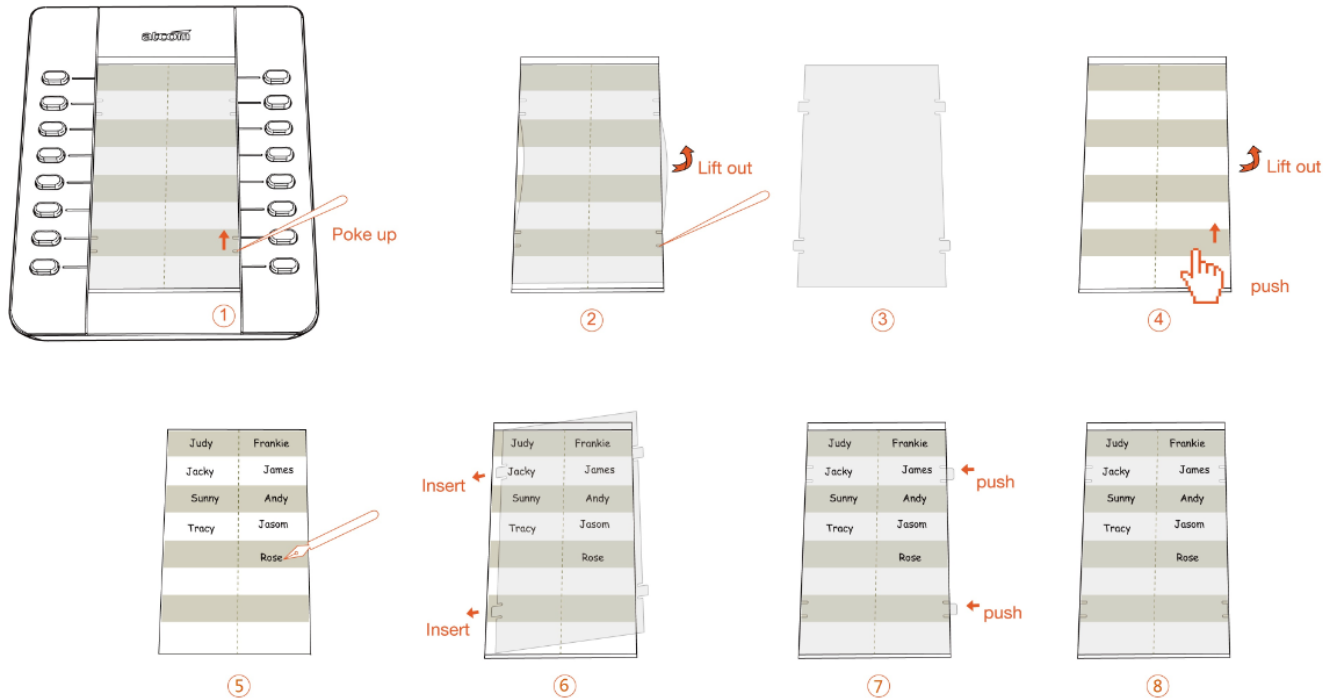
Step6. Put back the paster

Step7. Insert the plastic sheet into the slot

Step8. Push the other side of the plastic sheet into the other slot

## Rainbow E's paster using instruction

Steps to use Rainbow E's paster are the same as programmable keys' as below:



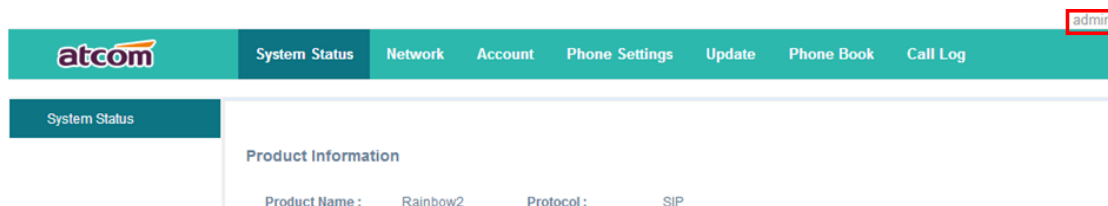
### 1.4 Check IP

Rainbow2 uses DHCP mode by default, and you can review its current IP address by pressing key when it is powered on and connected to the network.

### 1.5 Login to web

Modify your computer's IP address to the same network as Rainbow2. Enter Rainbow2's IP address in the web browser and press Enter, you will access to Rainbow2's user webpage without password.

Click "admin" which is on the right corner to enter administrator webpage.





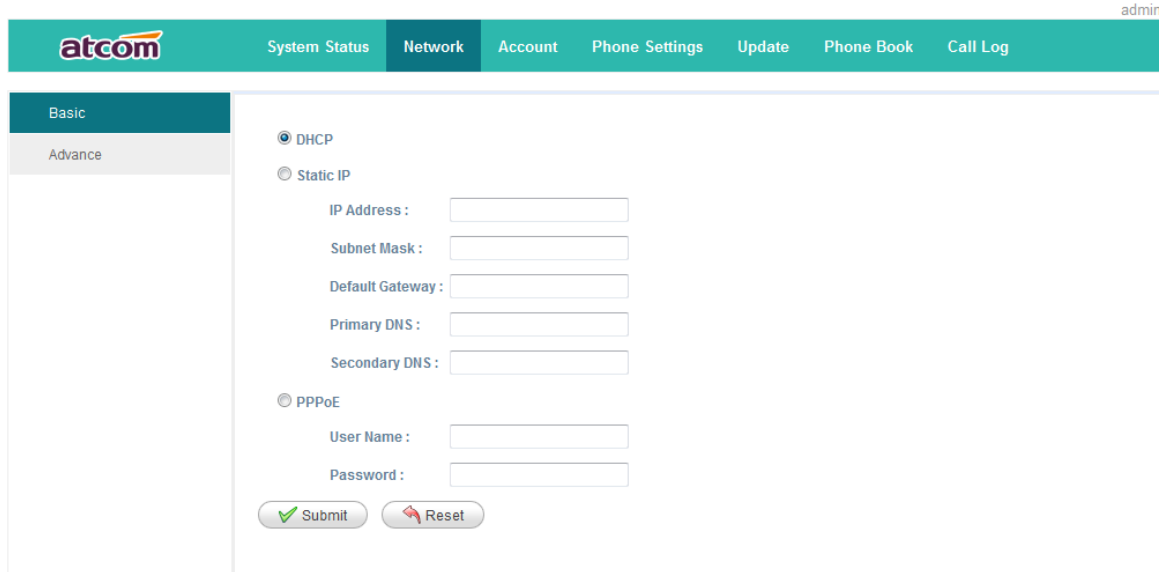
## 2. Configure phone to register SIP account

### 2.1 Network Configuration

#### LAN Port Configuration

Enter "Network" -> "Basic" page.

There are 3 ways to connect to internet DHCP, Static and PPPoE, please choose one according to your own situation.



The screenshot shows the Rainbow2 web interface. At the top, there is a navigation bar with the 'atcom' logo and menu items: System Status, Network (selected), Account, Phone Settings, Update, Phone Book, and Call Log. Below the navigation bar, there is a sidebar with 'Basic' (selected) and 'Advance' options. The main content area is titled 'Basic' and contains three radio button options: DHCP (selected), Static IP, and PPPoE. Under the DHCP option, there are input fields for IP Address, Subnet Mask, Default Gateway, Primary DNS, and Secondary DNS. Under the PPPoE option, there are input fields for User Name and Password. At the bottom of the form, there are 'Submit' and 'Reset' buttons.

- ✓ Network mode: you can choose DHCP, Static and PPPoE
- ✓ DHCP: Rainbow2 default to use DHCP to obtain IP from DHCP Server.
- ✓ Static: If you want to set the IP as static, you should fill IP, Netmask, Gateway and DNS information.
- ✓ PPPoE: If Rainbow2 is connected to the modem, you should fill ADSL account and password which are assigned by your network service provider.

#### Password Configuration

Enter "Network" -> "Advance" page.

There are 2 modes to set the authority of web accessing and command line: User mode and Admin mode. All the parameters can be visible and changed in Admin mode while part of them can be visible in User mode.

## Web Server

Enable Web Server :

Admin Password : 
 User Password :

HTTP Port :

- ✓ Enable Web Server: enable or disable web access. If choose "no", you can not access Rainbow2's webpage.
- ✓ Admin password: set admin webpage access password.(username:admin)
- ✓ User password: set user webpage access password.(username:user)

## 2.2 Account Configuration

Enter "Account" -> "SIP" page to configure SIP account which is provided from the SIP Server.

### SIP

Enable :

Display Name : 
 User ID :

Authenticate ID : 
 Password :

SIP Server : 
 SIP Port :

SIP Redundancy Server :

Use Outbound Proxy :

Outbound Proxy Server : 
 Outbound Proxy Port :

Register Expires : 
 Subscribe Expires :

Transport Type : 
 SIP 100Rel Require :

Session Timer Enable : 
 Early Update Enable :

Caller ID Display : 
 AutoSubscribeMWIEnable :

Server List : 
 Dns Mode :

BLF List URI :

- ✓ Enable: whether enable this SIP register.
- ✓ Display Name: This name will display on the screen of Rainbow2. It will display the name configured for the SIP account by the SIP server preferentially. It can also be kept blank.
- ✓ User ID: Username of SIP account.

## Rainbow2 Quick Start Guide



- ✓ Authenticate ID: normally is the same as User ID, can also be kept blank if there is no special requirement from the SIP server.
- ✓ Password: Password of SIP account.
- ✓ Sip Server: SIP server address, support both IP address and domain name.
- ✓ Sip Port: SIP server port, default is 5060.

After configured and clicked 'Submit' to enable register this account, please check the status of this account in System Status page. The Registration State will be registered if this account registered successfully.

The screenshot shows the 'System Status' page in the atcom web interface. The page is titled 'System Status' and has a navigation bar with links for 'System Status', 'Network', 'Account', 'Phone Settings', 'Update', 'Phone Book', and 'Call Log'. The 'System Status' page is divided into several sections: 'Product Information', 'Network Information', 'Account 1 Information', 'Account 2 Information', and 'Account 3 Information'. The 'Account 1 Information' section shows the 'Registration State' as 'Registered', which is highlighted with a red box. Other details for Account 1 include User ID: 5069, Last Registration At: 01/01/2000 00:00:00, and Next Registration In: 300 s. Account 2 and Account 3 are both shown as 'Not registered'.

Product Information			
Product Name :	Rainbow2	Protocol :	SIP
Software Version :	1.4.0	Hardware Version :	
Mac Address :	80:82:87:01:86:5A	Serial Number :	R2X140100023

Network Information			
Type :	DHCP	Current IP :	172.16.0.116
Current Netmask :	255.255.255.0	Current Gateway :	172.16.0.1
Primary DNS :	202.96.134.133	Secondary DNS :	202.96.128.86
Host Name :		Domain :	
VPN State :	Disable	VPN IP :	

Account 1 Information			
Registration State :	Registered	Proxy :	172.16.0.55
User ID :	5069	Message Waiting :	Yes
Last Registration At :	01/01/2000 00:00:00	Next Registration In :	300 s

Account 2 Information			
Registration State :	Not registered	Proxy :	
User ID :		Message Waiting :	Yes
Last Registration At :		Next Registration In :	

Account 3 Information			
Registration State :	Not registered	Proxy :	