

Rainbow1 Quick Start Guide

Version 1.0

2014-03-21

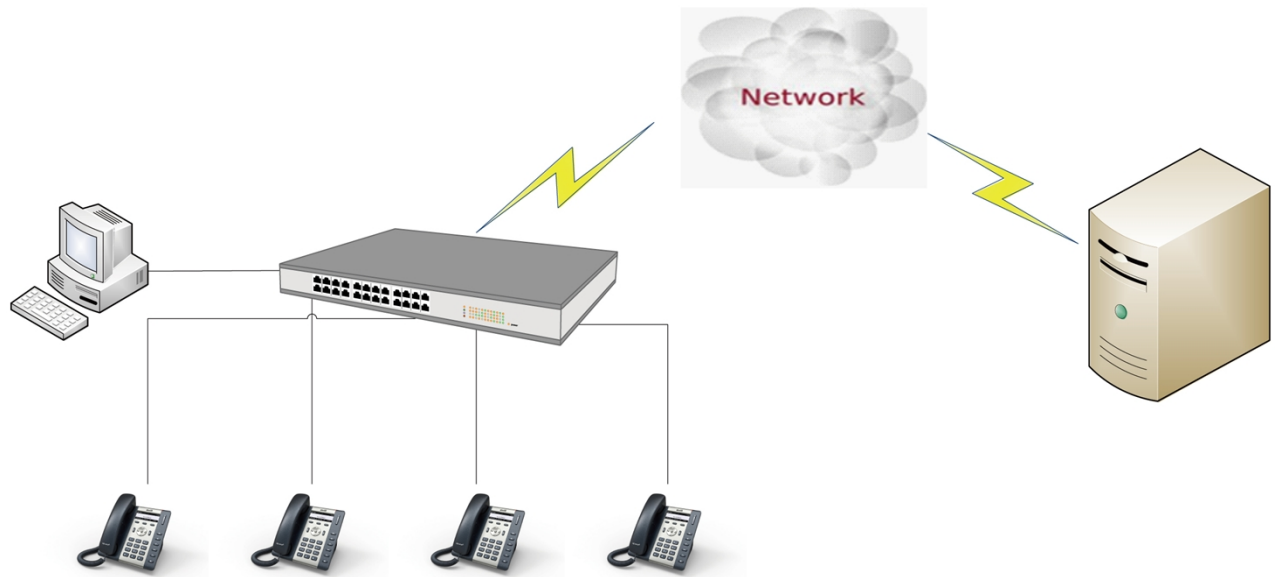
Content

1. Installation and access	3
1.1 Connection	3
1.2 Installation instruction.....	3
1.3 Check IP	9
1.4 Login to web	9
2. Configure phone to register SIP account.....	9
2.1 Network Configuration.....	9
2.2 Account Configuration	10

1. Installation and access

1.1 Connection

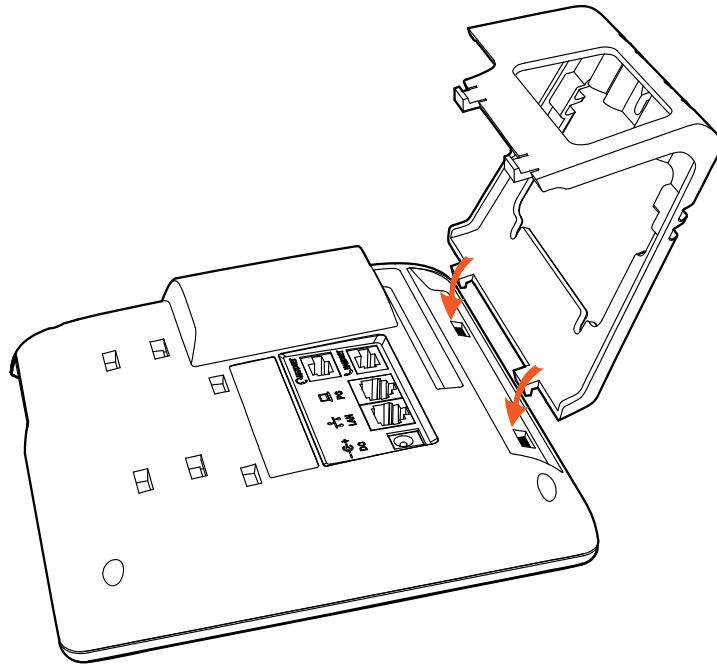
Set up Rainbow1 as below:



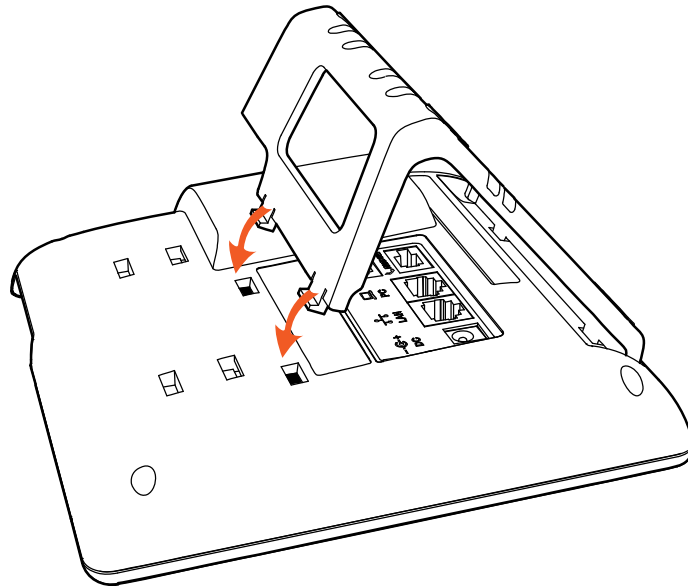
1.2 Installation instruction

1. Desktop installation

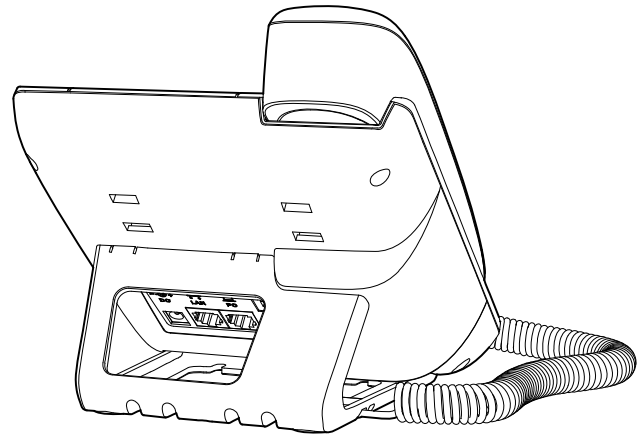
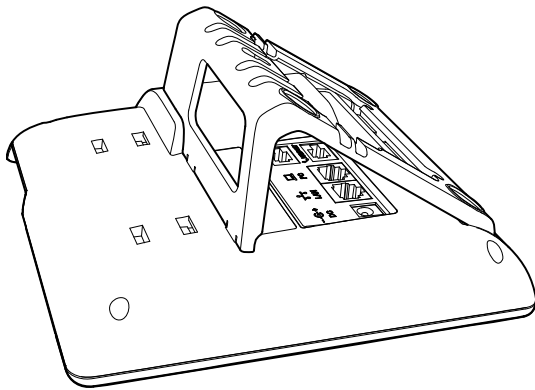
A. Put the bottom side of the IP phone upside and press the plate into the slot, please refer the picture as below:



B. Press the other plate into the slot according to the direction of the arrow

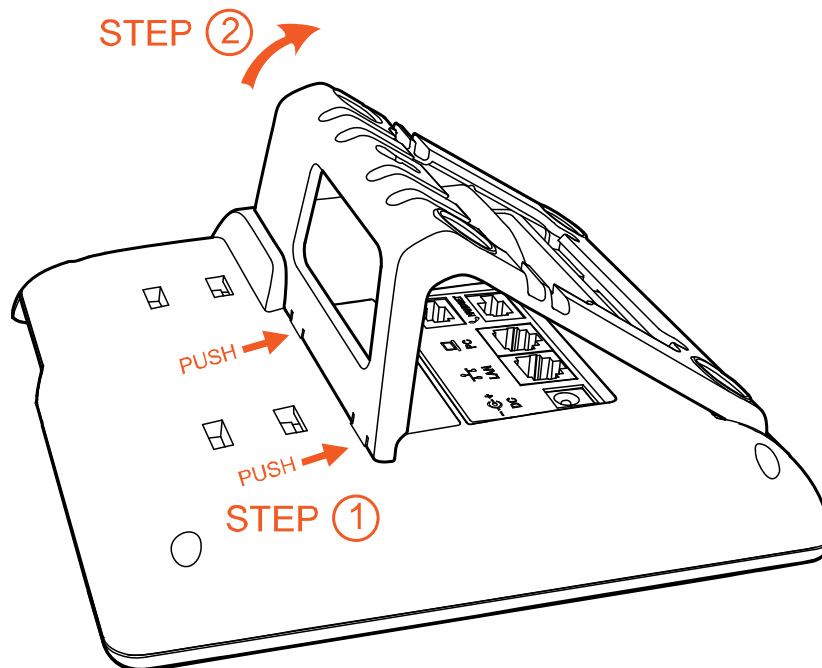


C. It is the right picture after fixing the feet below:



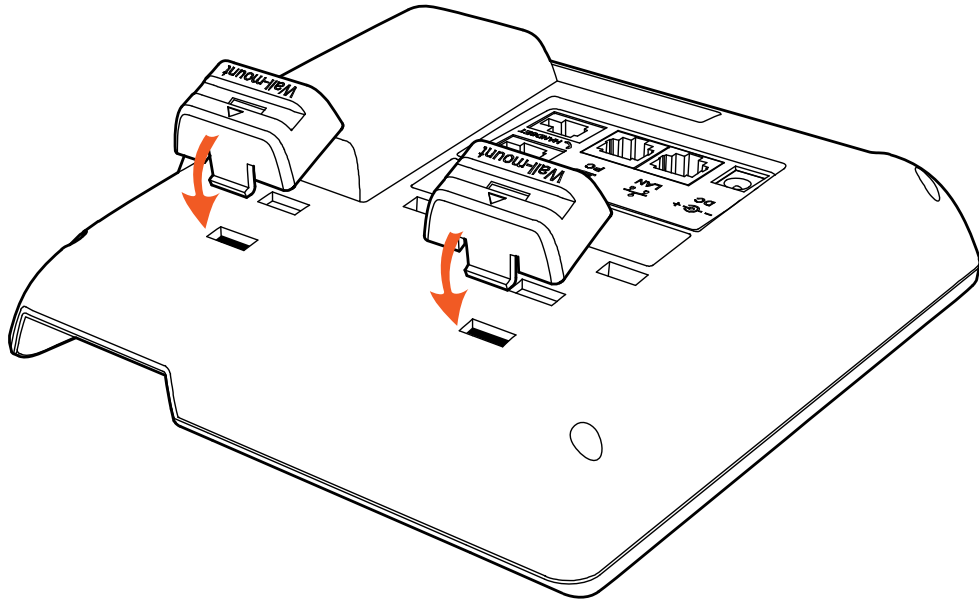
D. Disassemble the feet:

Push the plate and pull the feet according to the direction of the arrow. When the plate is pulled out of the slot, you can take off the feet

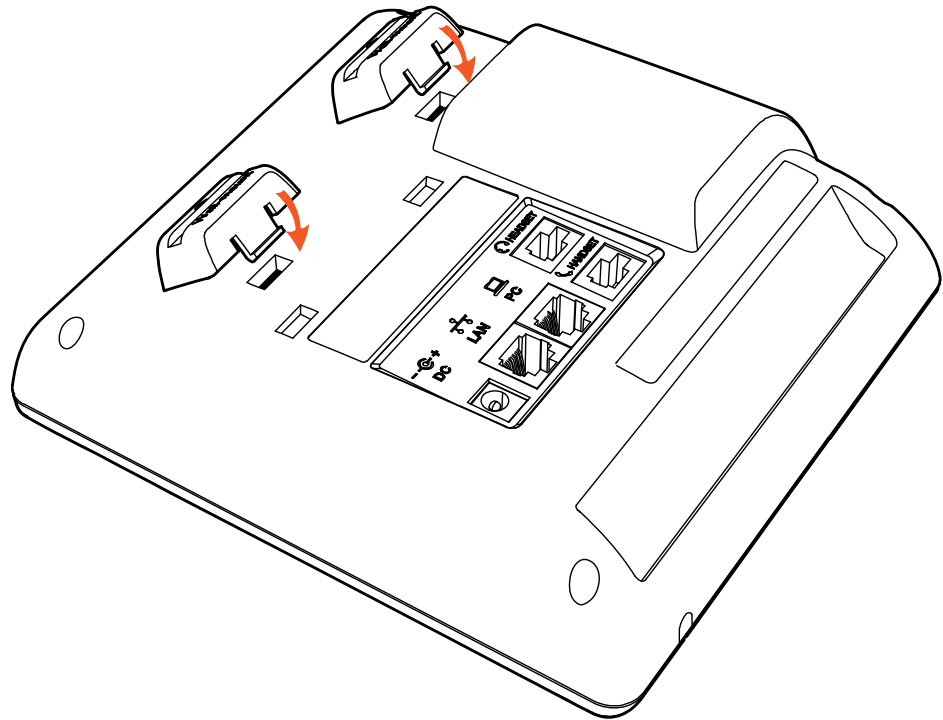


2. Wall-hung Installation

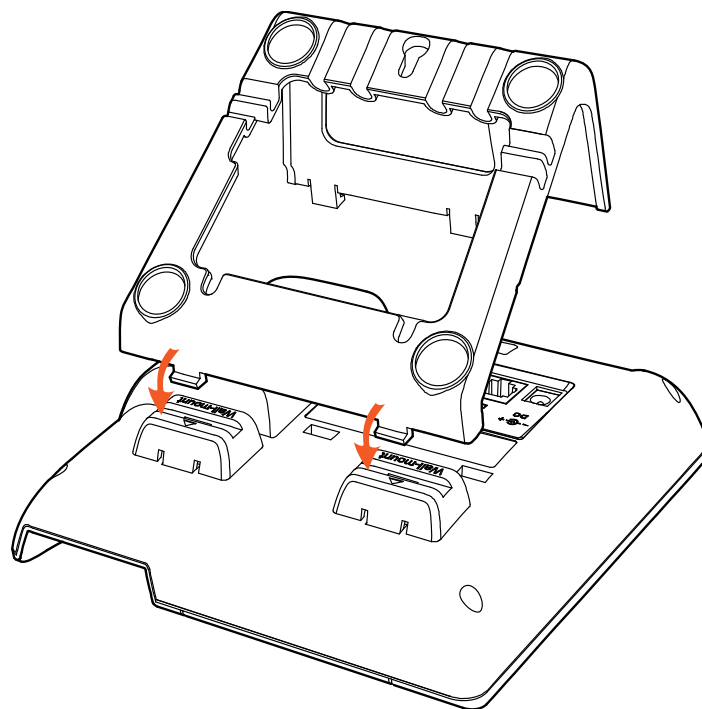
A. Put the bottom side of the IP phone upside and press one-side joints of wall-hung stand bracket into the slot, please refer the picture as below:



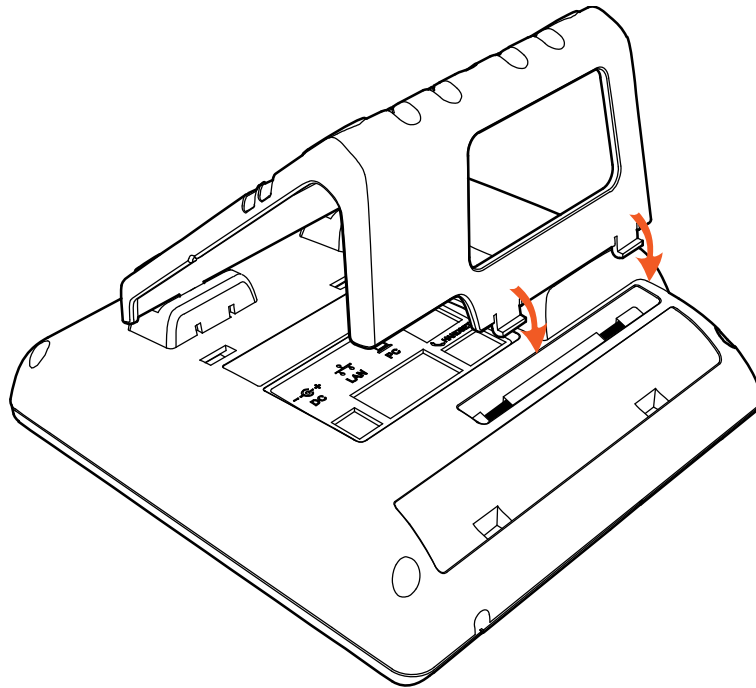
B. Press the other side joints into the slot according to the direction of the arrow



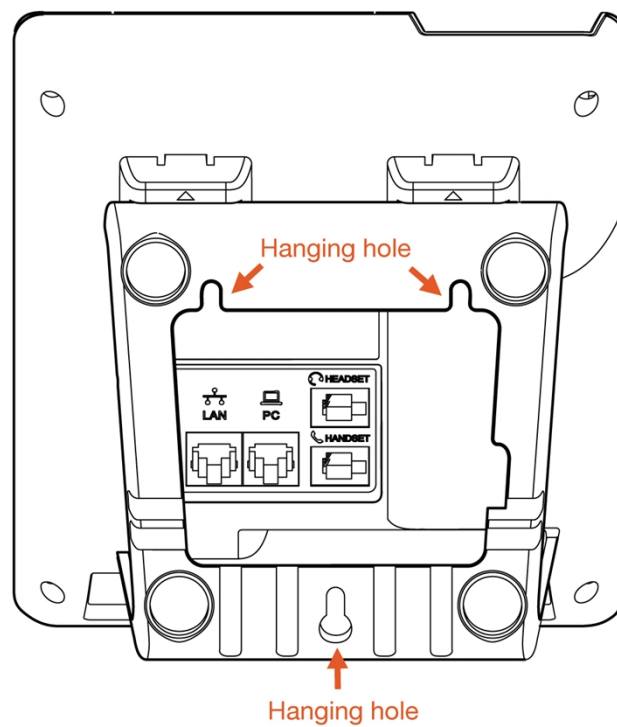
C. After install the wall-hung stand bracket, press one-side joints of stand bracket into the slot, please refer the picture as below:



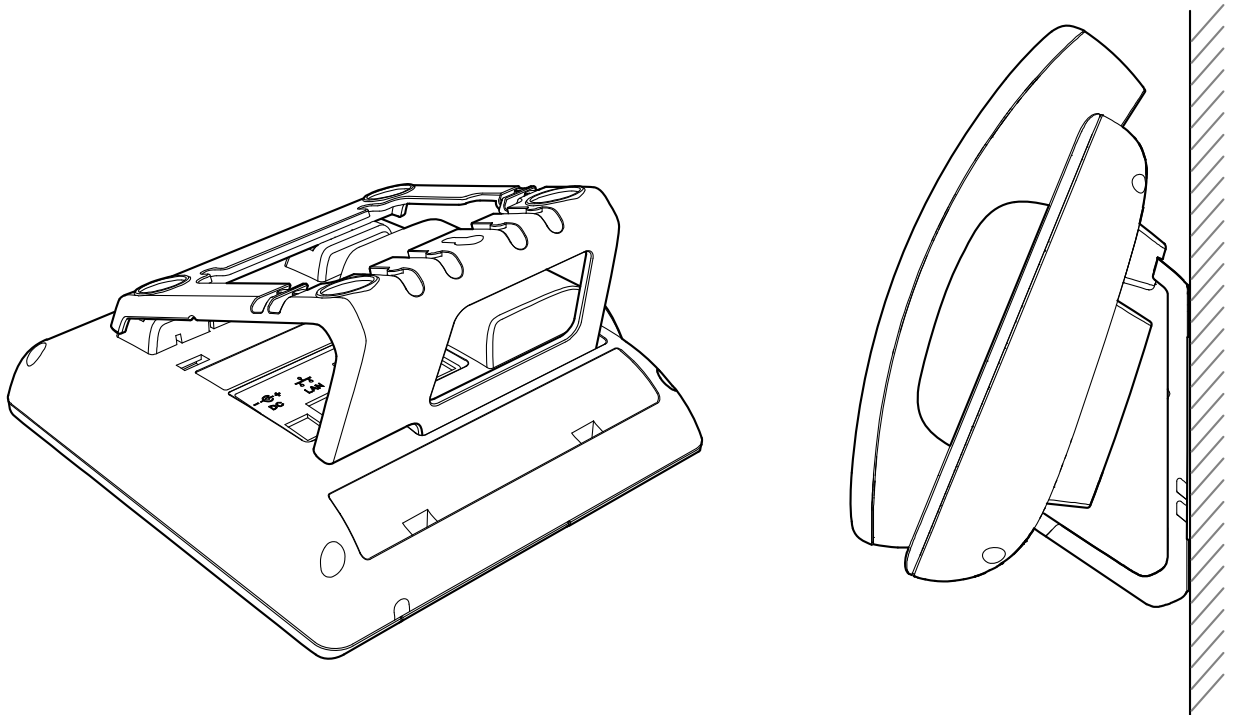
D. Press the other side joints into the slot according to the direction of the arrow



E. Knock in nails or screws on the wall according to the proportion of the distance between the hanging holes as below:

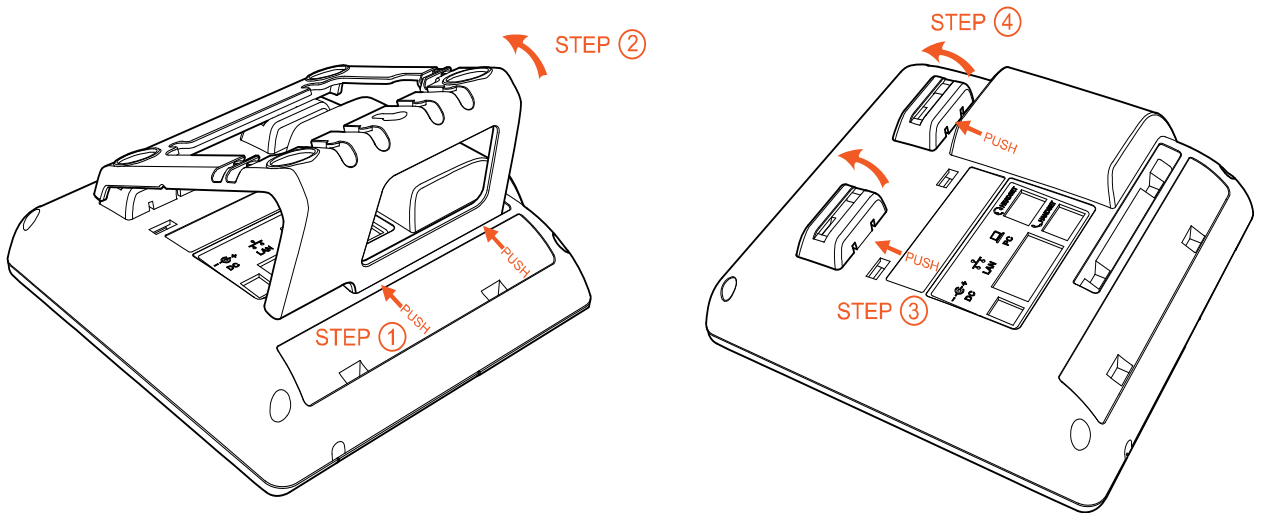


F. It is the right picture after fixing the stand bracket below:




G. Disassemble the stand bracket:

Push the spring joint of stand and pull the stand according to the direction of the arrow.



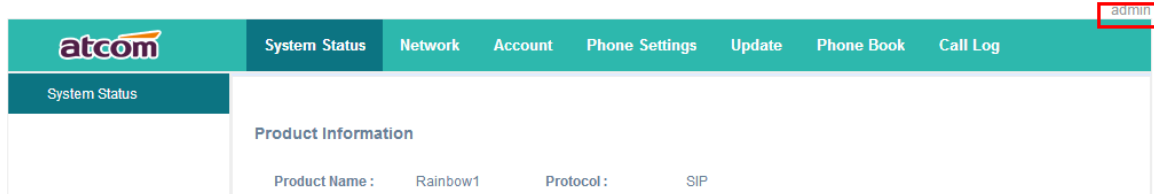
1.3 Check IP

Rainbow1 use DHCP mode by default, and you can review its current IP address by pressing  key when it is powered on and connected to the network.

1.4 Login to web

Modify your computer's IP address to the same network as Rainbow1. Enter Rainbow1's IP address in the web browser and press Enter, then you will access to Rainbow1's user webpage without password.

Click 'admin' which is on the right corner to enter administrator webpage.



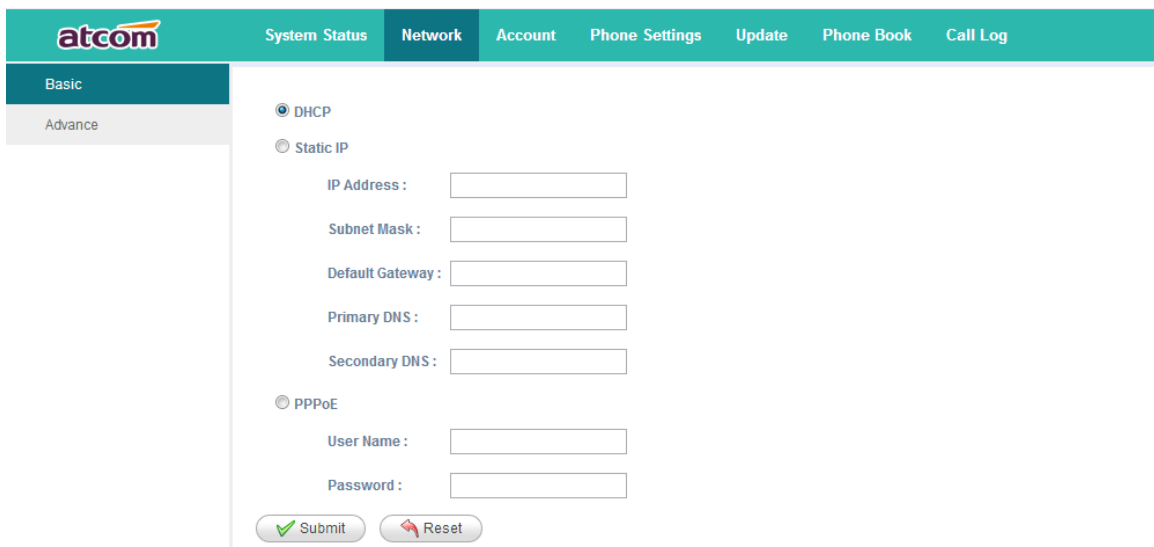
2. Configure phone to register SIP account

2.1 Network Configuration

LAN Port Configuration

Enter "Network" -> "Basic" page.

There are 3 ways to connect to internet DHCP, Static and PPPoE, please choose one according to your own situation.



- ✓ Network mode: you can choose DHCP, Static and PPPoE
- ✓ DHCP: Rainbow1 default to use DHCP to obtain IP from DHCP Server.
- ✓ Static: If you want to set the IP as static, you should fill IP, Netmask, Gateway and DNS information.
- ✓ PPPoE: If Rainbow1 is connected to the modem, you should fill ADSL account and password which are assigned by your network service provider.

Password Configuration

Enter "Network" -> "Advance" page.

There are 2 modes to set the authority of web accessing and command line: User mode and Admin mode. All the parameters can be visible and changed in Admin mode while part of them can be visible in User mode.

Web Server

Enable Web Server :	<input type="text" value="Yes"/>		
Admin Password :	<input type="text"/>	User Password :	<input type="text"/>
HTTP Port :	<input type="text" value="80"/>		

- ✓ Enable Web Server: enable or disable web access. If choose "no", you can not access Rainbow1's webpage.
- ✓ Admin password: set admin webpage access password.(username:admin)
- ✓ User password: set user webpage access password.(username:user)

2.2 Account Configuration

Enter "Account" -> "SIP" page to configure SIP account which is provided from the SIP Server.

SIP

Display Name :	<input type="text"/>	User ID :	<input type="text"/>
Authenticate ID :	<input type="text"/>	Password :	<input type="text"/>
SIP Server :	<input type="text"/>	SIP Port :	<input type="text" value="5060"/>
SIP Redundancy Server :	<input type="text"/>		
Use Outbound Proxy :	<input type="text" value="No"/>		
Outbound Proxy Server :	<input type="text"/>	Outbound Proxy Port :	<input type="text" value="5060"/>
Register Expires :	<input type="text" value="300"/>	Subscribe Expires :	<input type="text" value="3600"/>
Transport Type :	<input type="text" value="UDP"/>	SIP 100Rel Require :	<input type="text" value="No"/>
Session Timer Enable :	<input type="text" value="No"/>	Early Update Enable :	<input type="text" value="No"/>
Caller ID Display :	<input type="text" value="No"/>	AutoSubscribeMWIEnable :	<input type="text" value="No"/>
Server List :	<input type="text" value="Common"/>	Dns Mode :	<input type="text" value="A Record"/>
BLF List URI :	<input type="text"/>		

- ✓ Display Name: This name will display on the screen of Rainbow1. It will display the name configured for the SIP account by the SIP server preferentially. It can also be kept blank.
- ✓ User ID: Username of SIP account.
- ✓ Authenticate ID: normally is the same with User ID, can also be kept blank if there is no special requirement from the SIP server.
- ✓ Password: Password of SIP account.
- ✓ Sip Server: SIP server address, support both IP address and domain name.
- ✓ Sip Port: SIP server port, default is 5060.

After configured and **clicked 'Submit'** to enable register this account, please check the status of this account in System Status page. The Registration State will be registered if this account registered successfully.

System Status

System Status

Product Information

Product Name :	Rainbow1	Protocol :	SIP
Software Version :	1.3.0	Hardware Version :	
Mac Address :	80:82:87:01:86:48	Serial Number :	R1X140100050

Network Information

Type :	DHCP	Current IP :	172.16.0.131
Current Netmask :	255.255.255.0	Current Gateway :	172.16.0.1
Primary DNS :	202.96.134.133	Secondary DNS :	202.96.128.86
Host Name :		Domain :	
VPN State :	Disable	VPN IP :	

Account Information

Registration State :	Registered	Proxy :	172.16.0.55
User ID :	5070	Message Waiting :	Yes
Last Registration At :	02/20/2014 13:37:07	Next Registration In :	17 s