

# **A40/A41(W) Quick Start Guide**

Version 1.0

2016-05-19

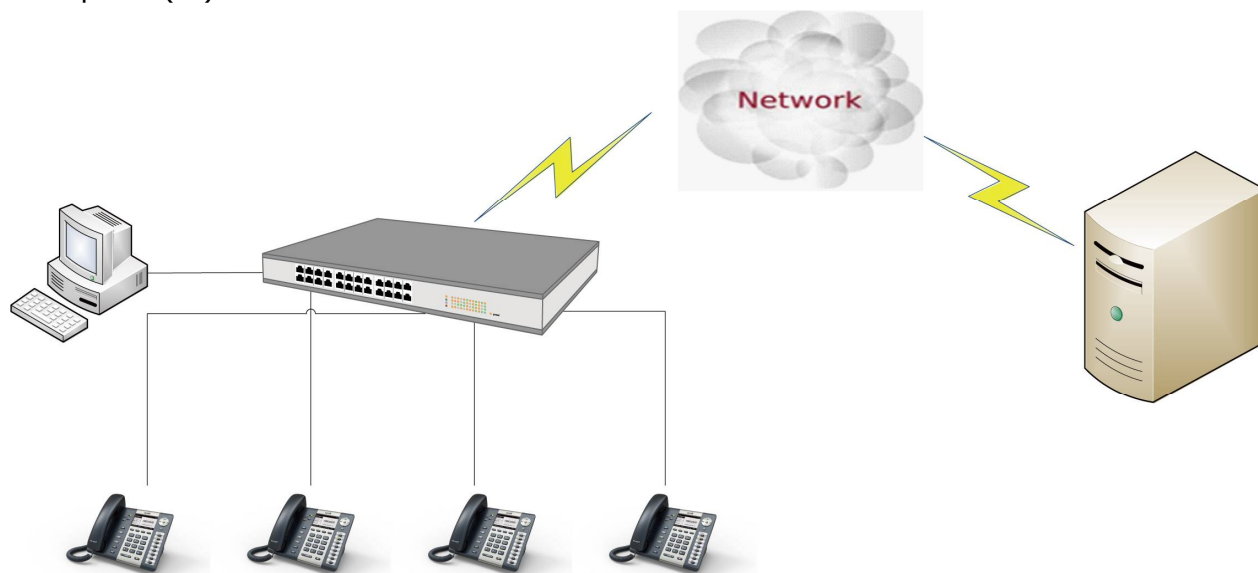
# Content

<b>1. Installation and access</b> .....	3
1.1 Connection .....	3
1.2 Stand bracket installation instruction .....	3
1.3 Programmable keys' paster using instruction.....	7
1.4 Wiring instruction .....	8
<b>2. Configuring phone</b> .....	9
2.1 Configuring via keypad.....	10
2.2 Configuring via Webpage.....	10
2.2.1 Login to web .....	10
2.2.2 Network Configuration .....	11
2.2.3 Account Configuration.....	12
2.3 Wi-Fi(only for A40W/A41W).....	13
2.3.1 Configure the wifi on the phone.....	13
2.3.2 Configure the wifi on the WEB.....	13

# 1. Installation and access

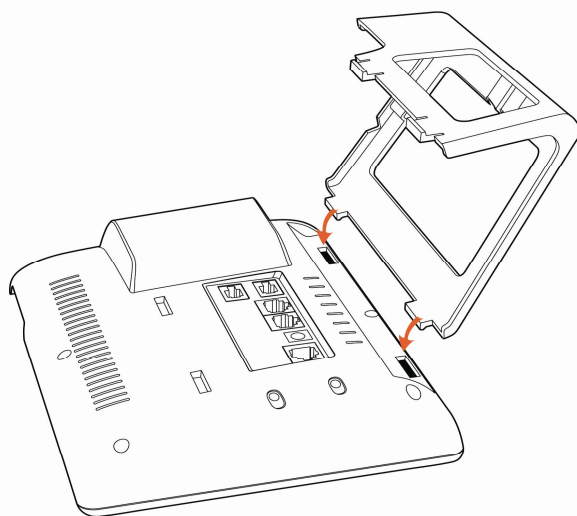
## 1.1 Connection

Set up A41(W) as below:

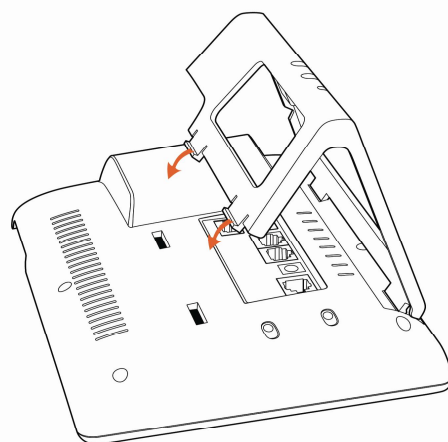


## 1.2 Stand bracket installation instruction

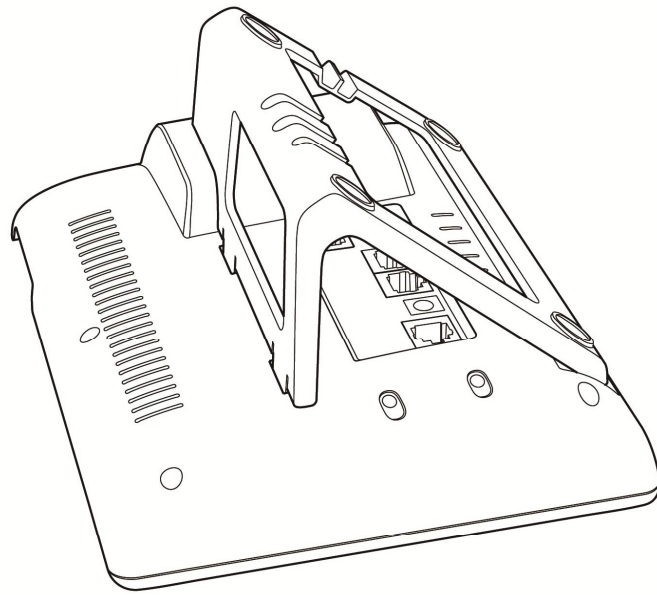
A. Put the bottom side of the IP phone upside and press one-side joints of stand bracket into the slot, please refer the picture as below:



B. Press the other side joints into the slot according to the direction of the arrow:

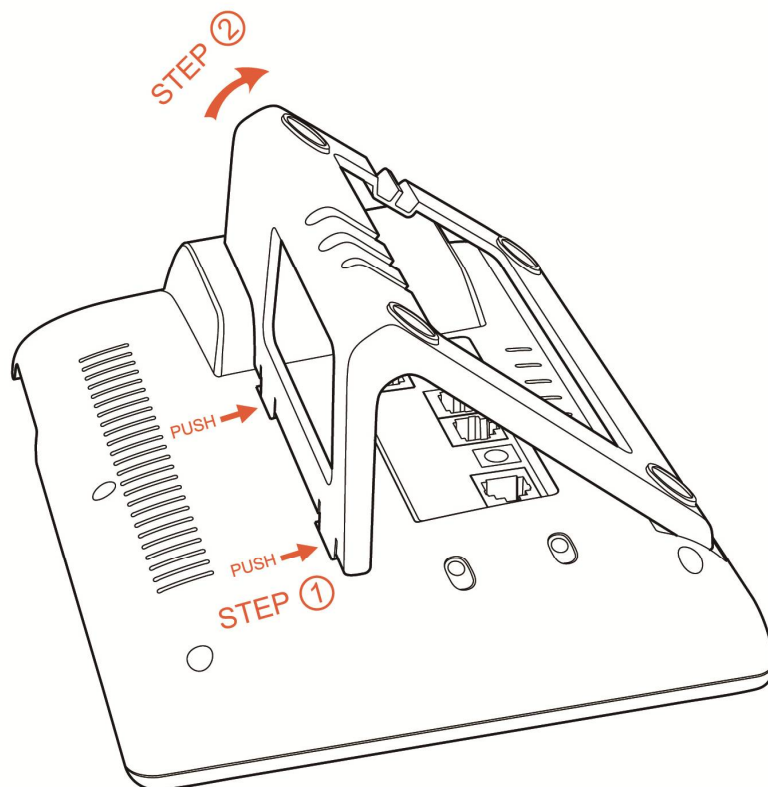


C. It is the right picture after fixing the stand bracket below:

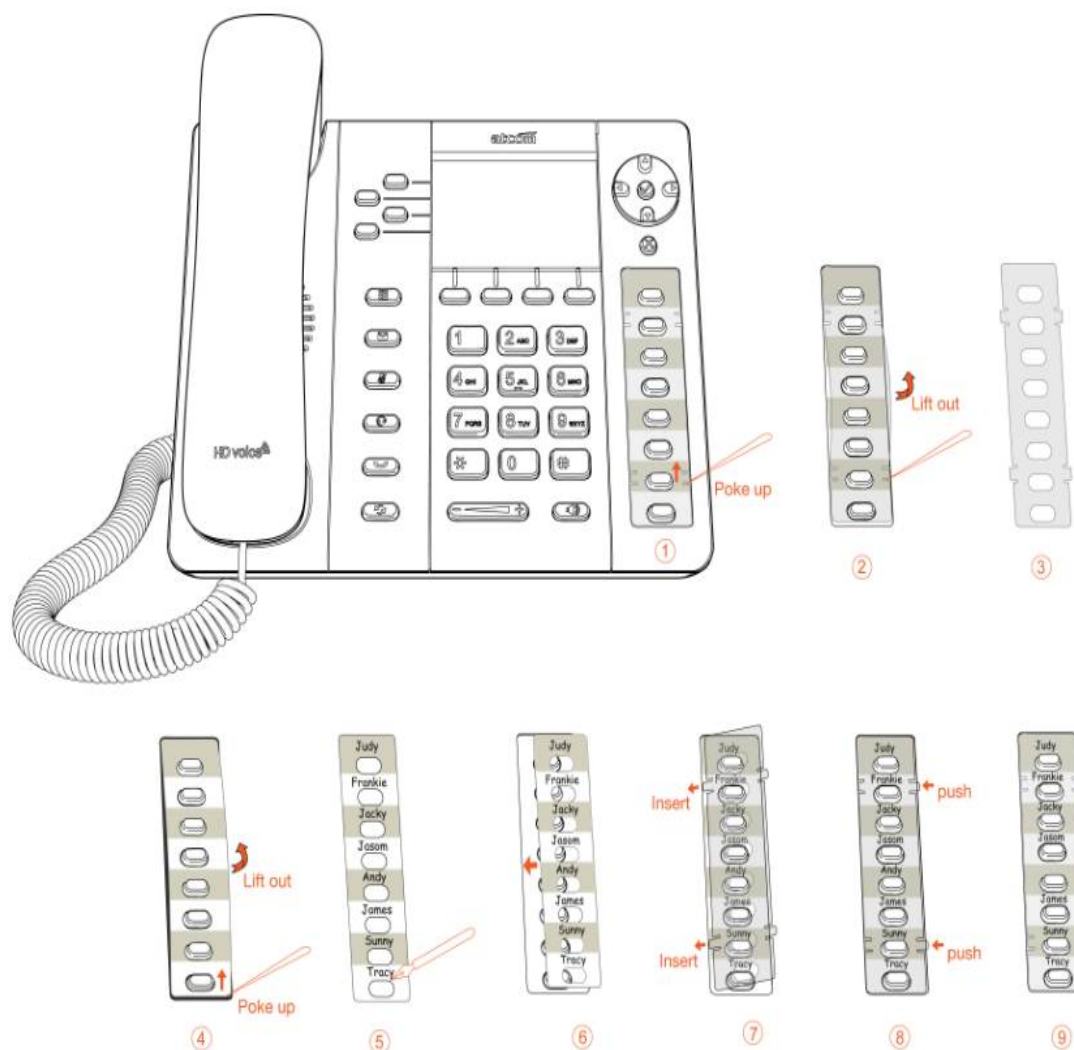


D. Disassemble the stand bracket:

Push the spring joint of stand and pull the stand according to the direction of the arrow. When the joints are pulled out of the slot, you can take off the stand bracket.



## 1.3 Programmable keys' paster using instruction



Step1. Use needle or some other tools to insert into the hole of the plastic sheet, hog the plastic sheet.

Step2. Lift out the plastic sheet

Step3. Take off the plastic sheet

Step4. Use needle or some other tools to insert into the edge of the paster, hog and lift out the paster

Step5. Write down the identification of each programmable key on the paster after taking off the paster

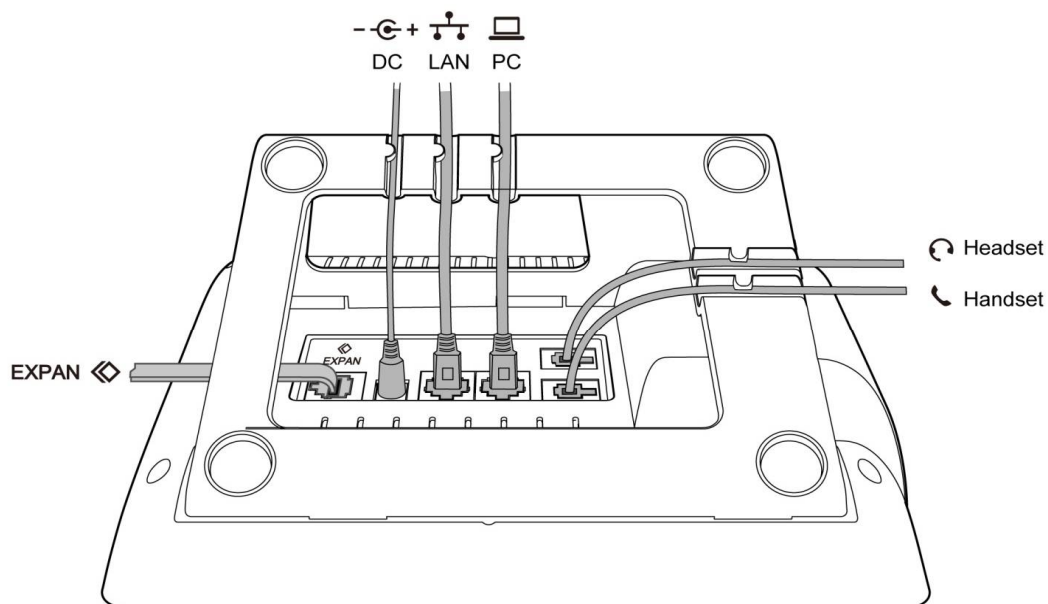
Step6. Put back the paster

Step7. Insert the plastic sheet into the slot

Step8. Push the other side of the plastic sheet into the other slot

## 1.4 Wiring instruction

After stand bracket fixed, please plug in all wires or cables as below:





## 2. Configuring phone



A40/A41(W)



A40/A41(W) with RE

## 2.1 Configuring via keypad


**Language Setting:** The default language of the phone is English, it supports Chinese, Russian, Arabic, German, French, Portuguese, Turkish, Spanish, Hebrew, Hungarian, Italian.

Press  **Menu- Preferences- Language** to edit the language list, choose the one you'd like to set on the phone.


**Note:** The available language maybe different, it depends on the language packs currently loaded to the IP phone.

### Network Setting:

Press  **Menu- Network- Connect Mode/IP Setting-** to set connect mode and IP address.

Or review its current IP address by pressing  key when it is powered on and connected to the network.

### Account Setting:

Press  **Menu- SIP Account-** to configure the account setting. You can refer to the bellow 'Configuring via Web page' for the parameter details.

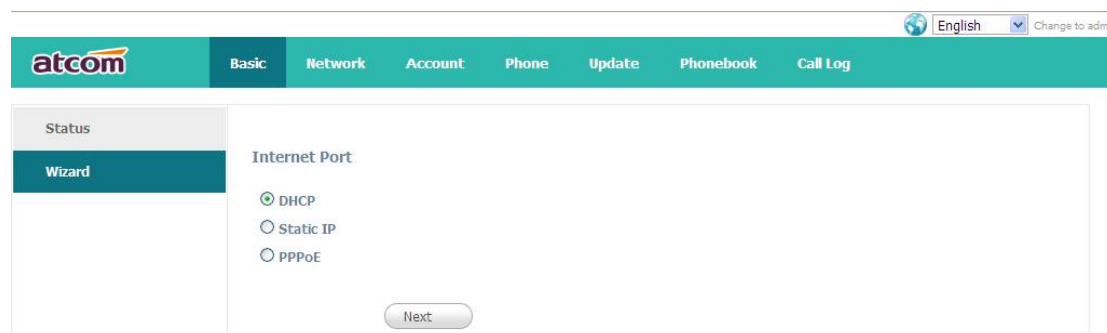
## 2.2 Configuring via Webpage

### 2.2.1 Login to web

Connect the PC and telephone in one network, input the IP address of telephone at a browser and press "Enter", you will be required to input the username and password to access the web page. The username/password as below:

Username	Password	Description
admin	admin	For Administrators
user	user	For General Users

## 2.2.2 Network Configuration



English [Change to admin](#)

atcom Basic Network Account Phone Update Phonebook Call Log

Status

Wizard

Internet Port

DHCP

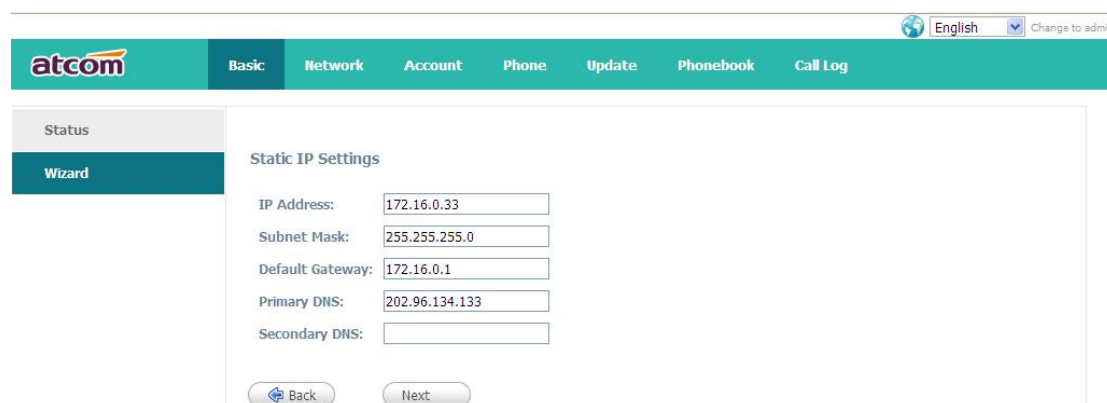
Static IP

PPPoE

Next

1.If chosen DHCP, the telephone will be assigned a IP address automatically, click the button “**Next**” to enter the web page of “**Account Configuration**”.

2. If chosen Static IP, user should input the IP address manually for the telephone, click the button “**Next**” to enter the web page of “Static IP Address”.



English [Change to admin](#)

atcom Basic Network Account Phone Update Phonebook Call Log

Status

Wizard

Static IP Settings

IP Address:

Subnet Mask:

Default Gateway:

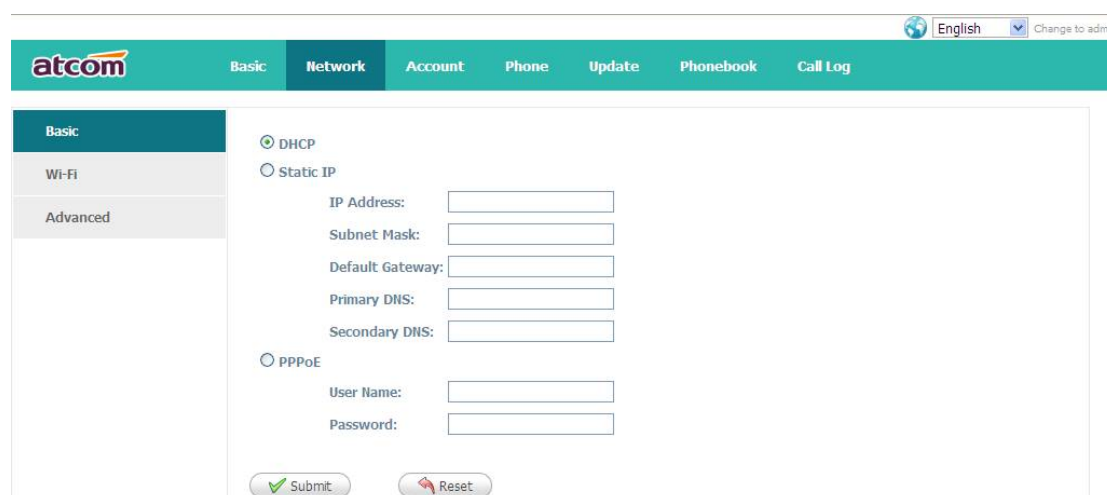
Primary DNS:

Secondary DNS:

Back Next

After IP address filled manually, click the button “**Next**” to enter the web page of “**Account Configuration**”, or click the button “**Back**” to back to web page of “**Network Configuration**”.

Network Configuration can be completed in below webpage,



English [Change to admin](#)

atcom Basic Network Account Phone Update Phonebook Call Log

Basic

Wi-Fi

Advanced

DHCP

Static IP

IP Address:

Subnet Mask:

Default Gateway:

Primary DNS:

Secondary DNS:

PPPoE

User Name:

Password:

Submit Reset

## 2.2.3 Account Configuration

The account configuration info will be saved to Line 1.

The screenshot shows the 'SIP Settings' configuration page. The top navigation bar includes 'Basic', 'Network', 'Account', 'Phone', 'Update', 'Phonebook', and 'Call Log'. The left sidebar has 'Status' and 'Wizard' options. The main content area is titled 'SIP Settings' and contains the following fields:

- Enable:  Yes
- Display Name:
- User ID:
- Authenticate ID:
- Password:
- SIP Server:
- SIP Port:

At the bottom of the form are two buttons: 'Back' and 'Finish'.

Click the button **“Finish”** to save network configuration and account configuration, and click **“Back”** back to the previous web page.

Account Configuration can be completed in below webpage,

The screenshot shows the 'Account' configuration page. The top navigation bar includes 'Basic', 'Network', 'Account', 'Phone', 'Update', 'Phonebook', and 'Call Log'. The left sidebar has 'Account' selected. The main content area is titled 'Account' and contains the following sections:



- Account:** Account:
- SIP:**
  - Enable:  Yes
  - Display Name:
  - User ID:
  - Authenticate ID:
  - Password:
  - SIP Server:
  - SIP Port:
  - SIP Redundancy Server:
  - Use Outbound Proxy:  No
  - Outbound Proxy Server:
  - Outbound Proxy Port:
  - Local SIP Port:
  - Register Expires:
  - Subscribe Expires:
  - Transport Type:  UDP
  - SIP 100Rel Require:  No
- DTMF Configuration:**
  - DTMF Tx Method:
  - DTMF Display:  Yes
- Call Feature Settings:**
  - Message Waiting:  Yes
  - Voice Mail Number:
  - Pickup Service Code:
  - UDP Keep Alive Enable:  Yes
  - UDP Keep Alive Intvl:
  - Default Ring:
  - SRTP:  No
- Dial Plan:**
  - Dial Plan:

At the bottom of the form are two buttons: 'Submit' and 'Reset'.

- ✓ **Account:** choose which account to be set.
- ✓ **Enable:** whether enable this SIP register.
- ✓ **Display Name:** This name will display on the screen of A41(W). It will display the name configured for the SIP account by the SIP server preferentially. It can also be kept blank.
- ✓ **User ID:** Username of SIP account.
- ✓ **Authenticate ID:** Normally is the same as User ID, but blank is acceptable
- ✓ **Password:** Password of SIP account.
- ✓ **Sip Server:** SIP server address, support both IP address and domain name.
- ✓ **SIP Redundancy Server:** SIP redundancy server address
- ✓ **Sip Port:** SIP server port, default is 5060.

## 2.3 Wi-Fi (only for A40W/A41W)

### 2.3.1 Configure the wifi on the phone



- 1、 Press  **"Menu"- "Network"- "Connect Mode"**, change for the wifi connection mode, press **"Save"**.
- 2、 Press  **"Menu"- "Network"- "WIFI setting"- "WLAN"** choose the wifi you want to connect, Press **"Connect"**, then input the correct wifi password.
- 3、 Return to the standby interface, and phone successful connected to the wifi.

### 2.3.2 Configure the wifi on the WEB

A41W connect to network via Wi-Fi acquiescently, click **"Search Wi-Fi"** button to search the available Wi-Fi.

After all available Wi-Fi hotspots are list out, click the round behind the available Wi-Fi which you want to connect.

Index	SSID	Signal	Select
1	cisco	211	<input type="radio"/>
2	360	207	<input type="radio"/>
3	re	207	<input type="radio"/>
4	amoji	205	<input type="radio"/>
5	CHINA TELECOM	205	<input type="radio"/>
6	360_____WIFI-C9	197	<input type="radio"/>
7	_____	197	<input type="radio"/>
8	_____	190	<input type="radio"/>
9	inWatch3	189	<input type="radio"/>
10	ChinaNet-7A6t	188	<input type="radio"/>
11	360_____WIFI-9F	185	<input type="radio"/>
12	iTV-7A6t	185	<input type="radio"/>
13	inWatch2	185	<input type="radio"/>
14	Royale International China	184	<input type="radio"/>

Input the right “**Secret Key**” and then click the “**Confirm**” button, the phone will reboot, after rebooting,the Wi-Fi icon will display on the home screen, it means connect failed when the icon come with , then you should check the configuration.if the icon come with ,it means connect successfully.